

LED SPOTLIGHT



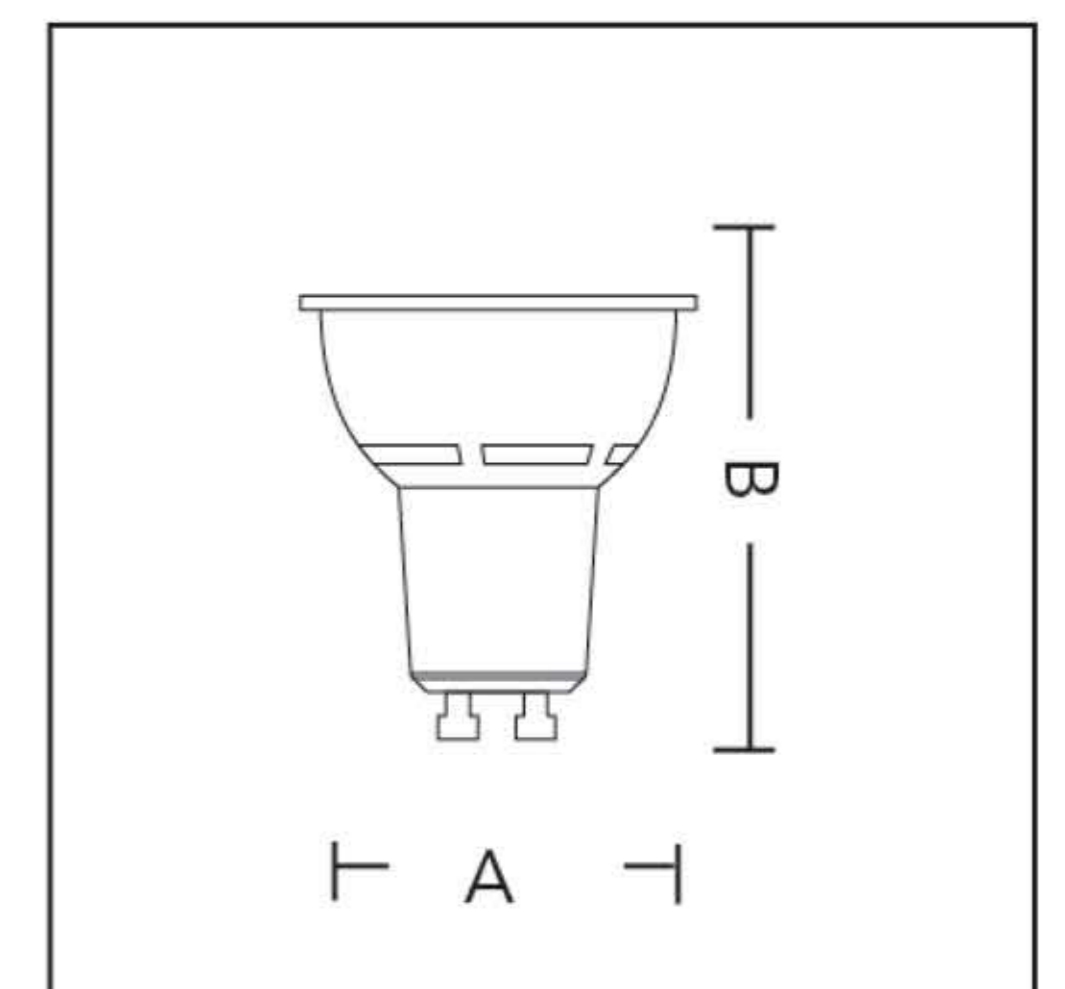
Features:

- * Plastic coated aluminium and halogen-like color;
- * High energy efficiency and long life;
- * Replacement of halogen GU10/MR16 35W & 50W;
- * Mercury free, in compliance with material restriction ;
- * requirements of ROHS.

Applications:

Ideal for general ambient lighting in offices, conference rooms, shopping malls, exhibition pavilions, super markets, hotels and homes.

LED GU10



| Code | Voltage | Power (W) | Lumen(lm) 3000/4000/6500K | Size (mm) | Packing QTY (pcs/CTN) |
|----------|------------|-----------|------------------------------|-----------|-----------------------|
| GU10A 3W | AC220-240V | 3 | 250/260/270 | A50xB56 | 200 |
| GU10A 4W | AC220-240V | 4 | 320/330/340 | A50xB56 | 200 |
| GU10A 5W | AC220-240V | 5 | 400/410/420 | A50xB56 | 200 |
| GU10A 6W | AC220-240V | 6 | 520/530/540 | A50xB56 | 200 |