

# LED SPOTLIGHT



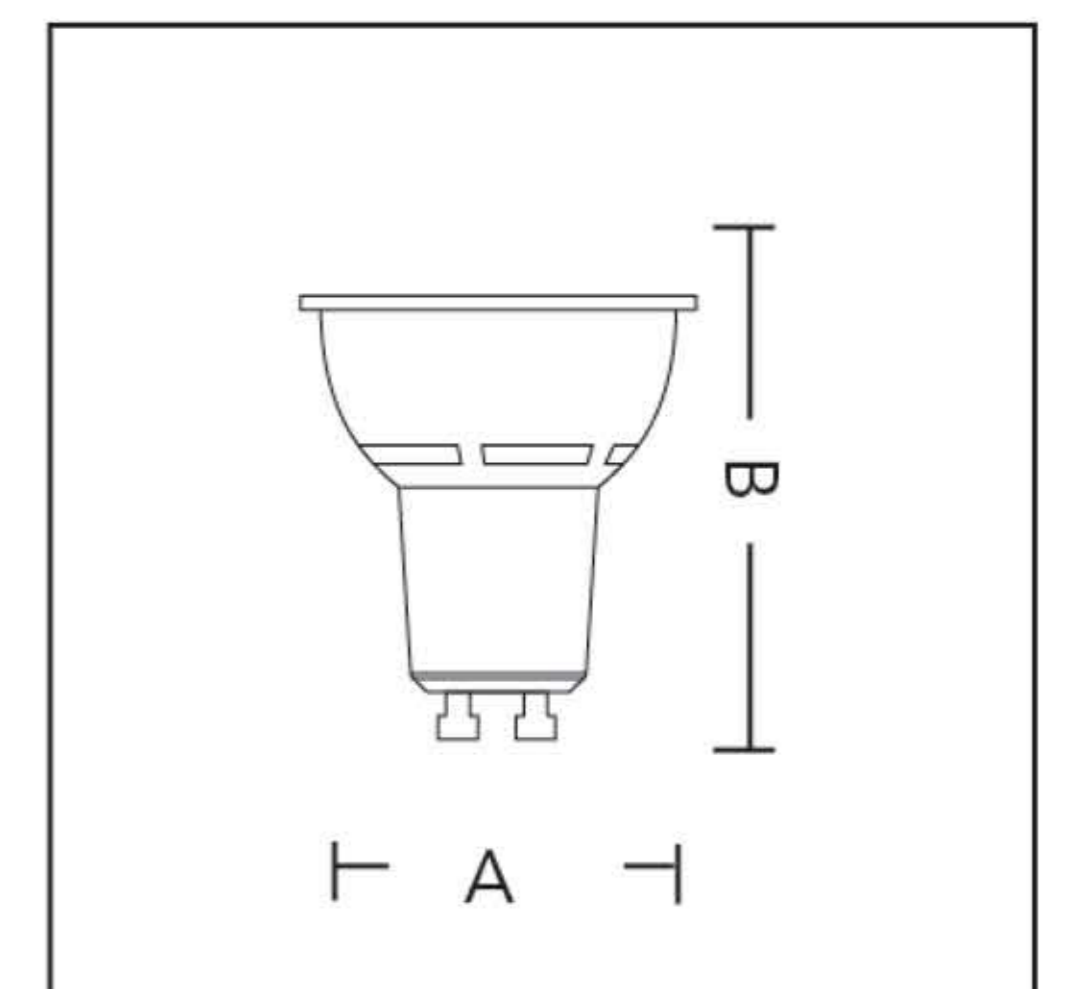
## Features:

- \* Plastic coated aluminium and halogen-like color;
- \* High energy efficiency and long life;
- \* Replacement of halogen GU10/MR16 35W & 50W;
- \* Mercury free, in compliance with material restriction ;
- \* requirements of ROHS.

## Applications:

Ideal for general ambient lighting in offices, conference rooms, shopping malls, exhibition pavilions, super markets, hotels and homes.

## LED GU10



MODEL	VOLTAGE (V)	POWER (W)	CCT (K)	LUMENS (lm)	CRI	BEAM ANGLE	LIFETIME (hrs)	BASE
FLGU10B3.5W	220-240	3.5	3000/4000/6500	250/260/270	≥80	38°	25000	GU10
FLGU10B5W	220-240	5	3000/4000/6500	400/410/420	≥80	38°	25000	GU10
FLGU10B6W	220-240	6	3000/4000/6500	500/510/520	≥80	38°	25000	GU10