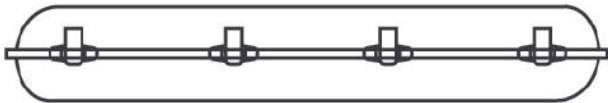


**Cautions:**

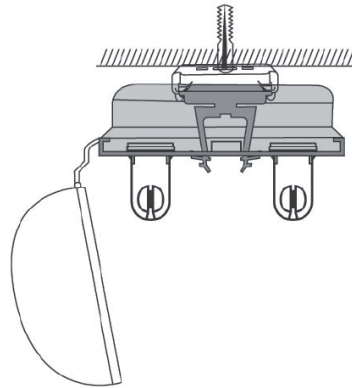
1. The lamp is fixed with stainless steel socket.
2. Expanded screws and stainless steel sockets are attached.
3. Expanded screws should be able to bear 4 times weight of the lamp and connected with the fitting surface tightly.

**Tube replacing and maintenance**

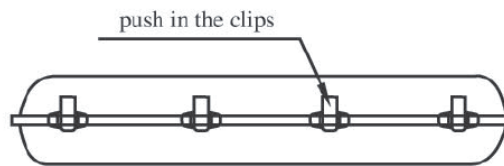
Step1. Lift the clips.



Step2. Keep the diffuser hanging then replace the tube or maintain.

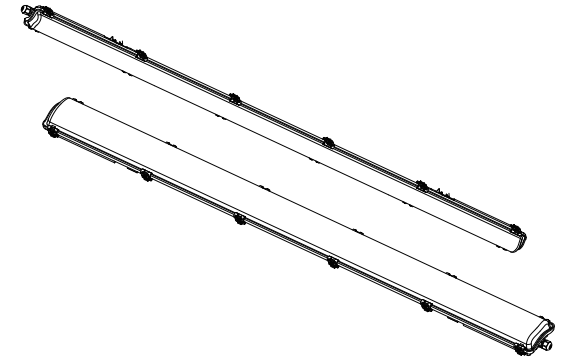


Step3. Close up the diffuser and push in the clips to press it.



Foshan Electrical and Lighting Co., Ltd.  
www.chinafsl.com/en/

**TRI-PROOF BRACKETS**



Foshan Electrical and Lighting Co., Ltd.

**Characteristics:**

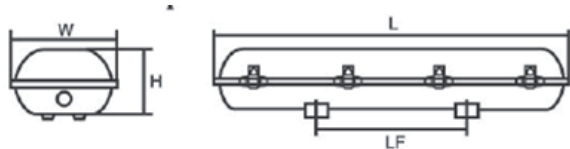
1. The diffuser is made of transparent PC plastic materials, prismatic stripe design with multi-reflective sides transferring the spot light to linear light for favorable optical effects.
2. The body is made of engineering plastic (ABS/PC) to confirm the consistency and extended use.
3. Two installations can be chosen, fixing, on the ceiling or connecting with suspension link (chain).
4. Hanging diffuser and embed socket, Easy Installation and maintenance.
5. High-efficiency electronic or energy magnetic sensitive ballast is applicable.

**Applicable Places:**

The lamp has waterproof, rotproof and dustproof functions. Especially suitably used in outdoor and moist places such as: public places, industry plot, parking lots, factory, swimming pool, kitchen etc.

**Cautions:**

1. The lamp is unsuitably in vile conditions.
2. Any boring in lamp body is forbidden.

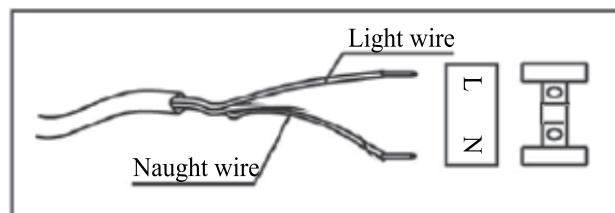


Grade of protection: IP65

Model	Lamp size (mm)	Lamp material	Protecti on class	Lamp Holder
T824-106	668*62*58	ABS Housing /PC diffuser	IP65	G13
T824-112	1272*62*58	ABS Housing /PC diffuser	IP65	G13
T824-115	1572*62*58	ABS Housing /PC diffuser	IP65	G13
T824-206	668*100*55	ABS Housing /PC diffuser	IP65	G13
T824-212	1272*100*55	ABS Housing /PC diffuser	IP65	G13
T824-215	1572*100*55	ABS Housing /PC diffuser	IP65	G13

**Wire Connection:**

1. Light wire connected to "L" end of the terminal.
3. Naught wire connected to "N" end of the terminal.



**Cautions:**

1. All accessories must be installed by careerman.
2. Switch off power when connecting.
3. The conductor of the wires can't be exposed.

**Fitting:**

1. Set build the water proof connector (as the map ① ) then the lamp holder (as the map ② ), fix the gear tray (as the map ③ ).
2. Boring on fitting surface for expanded screw, (The LF of the fitting hole for expanded screw referring to the detailed specifications), Fixing the expanded screw on the ceiling, Connecting the expanded screw with the stainless steel socket(as the map ④).
3. Place one side to the stainless steel lock into the socket, then press the others side with appropriate angle to guarantee it connected with the socket completely (as the map ⑤).
4. Switch on power (as the map ⑥).
5. Place the diffuser and put in the clips (as the map ⑦).
6. Indication as the sketch map below.

